



# THE LIFTING CELL

**THE MOST DURABLE**  
*CELL IN THE INDUSTRY*

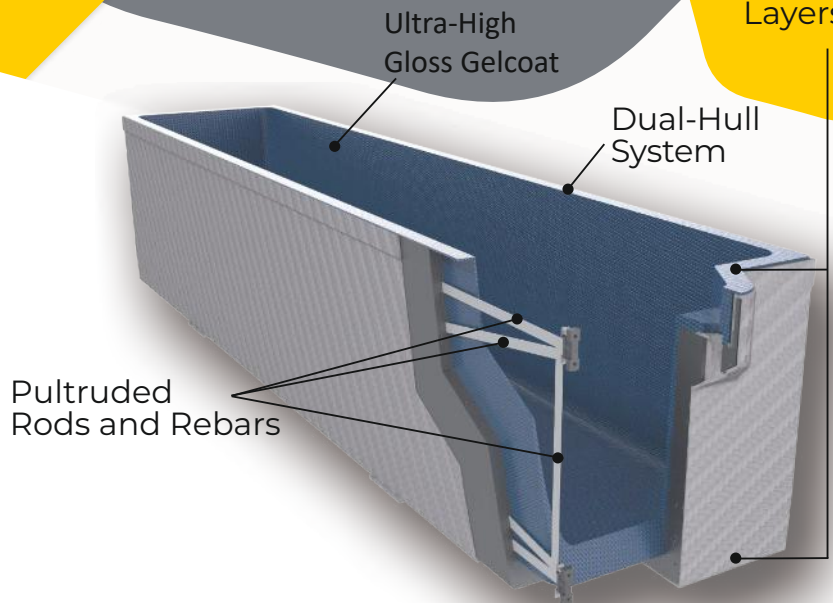
## Proven Technology

- NO ACID PENETRATION
- NO MORE CRACKS
- NO ELECTRICAL LEAKS
- ADJUSTABLE FEET
- PERMANENT ALIGNMENT
- FAST AND EASY LIFTING

**EASY TO REMOVE**  
**AND INSTALL**



INNOVATIVE COMPOSITES ENGINEERING



**Designed to increase**  
*Safety and Profitability*





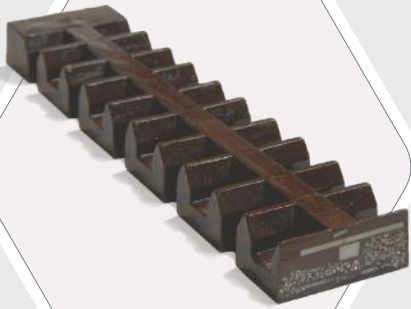
Scan Me



# STOP CHANGING CAPPING BOARDS

## SAVE BIG ON MAINTENANCE COSTS

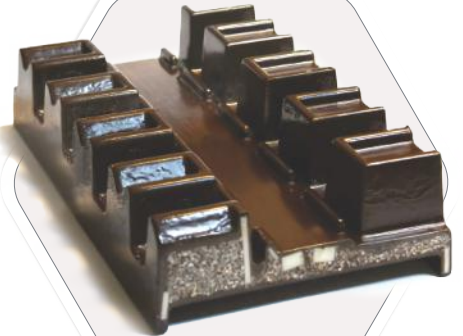
INNOVATIVE COMPOSITES ENGINEERING



**Equipotential  
Insulators**



**Coronary  
Insulators**



**Equipotential  
Insulators with an  
Umbrella-Shape  
Design**

**20 YEARS**  
**Average Lifespan  
without Maintenance**

**Single  
Piece  
Insulators**

UP TO  
**11**  
METERS





Scan Me



# DAMAGED CELL REMOVAL KIT

## Proven Technology

for **challenging situations**, such as:

- INSUFFICIENT SPACE BETWEEN CELLS TO PASS CABLES, STRAPS, OR OTHER EQUIPMENT
- LIMITED SPACE BETWEEN THE CELL AND THE OVERHEAD TRAVELING
- CONSIDERABLE WEIGHT OF THE CELL IN TERMS OF STABILITY AND MANEUVERING CONTROL

## EASY AND SAFE REMOVAL OF CELLS

**Designed to increase**  
Safety and  
Profitability



Fiberglass  
Lifting  
Straps

Lifting Beam

Heavy-Duty  
Polyester  
Straps





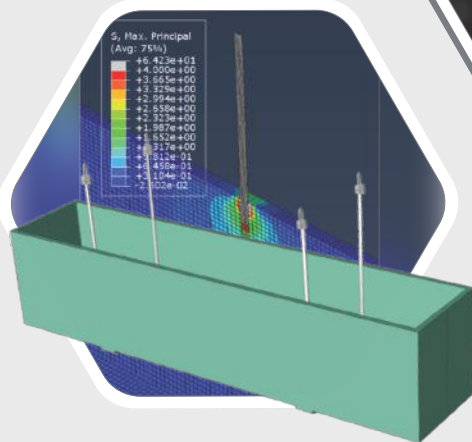
Scan Me



**Anchoring Straps  
on the Inside Wall**



**Lifting Assembly**



**High Safety Factor  
(FE Analysis)**

**LIFT IT  
SECURE  
AND  
EFFICIENT**

**30 YEARS**

**in Business for  
Mining and Refinery**

**Adapts  
to Fit  
All Cells**

UP TO  
**11**  
METERS

